



Exceeding Your Expectations

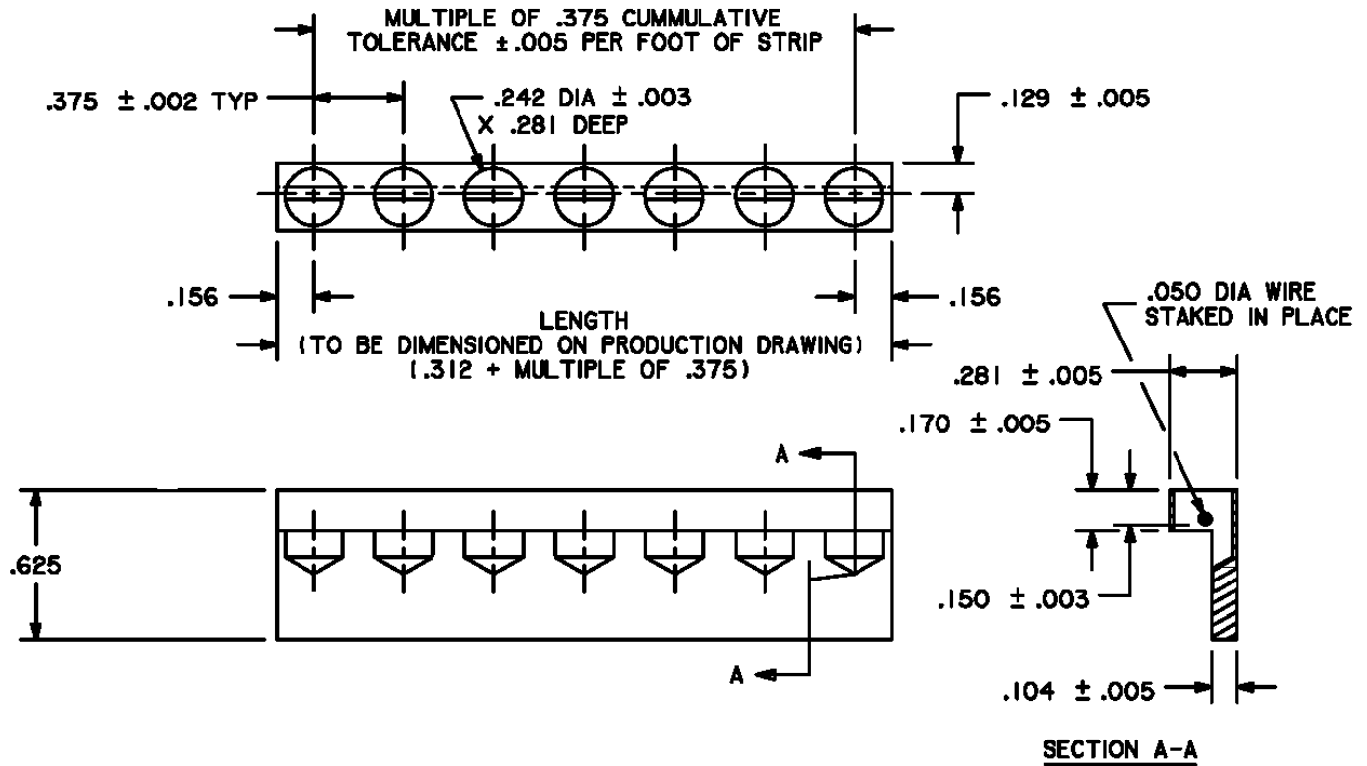


FIGURE 1

MATERIAL

Wire: 0.050 diameter 316 stainless steel wire, Condition B, spring temper per ASTM A 313/A 313/M
 Receptacle: 6061-T6 Aluminum alloy in accordance with AMS-QQ-A-200/8

FINISH

Wire: None
 Strip: Chemical surface treat per MIL-C-5541. Cut ends shall be surface treated per MIL-C-5541

Quality Conformance Inspection: MIL-F-25173

DIMENSIONS IN INCHES: TOLERANCES UNLESS OTHERWISE SPECIFIED: X.XX ± 0.03 ; X.XXX ± 0.010 ; ANGLES $\pm 0.5^\circ$
 DOCUMENT AND ITS CONTENTS ARE PROPRIETARY INFORMATION TO STROCO AND ITS AFFILIATES. USE WITHOUT AUTHORIZATION IS PROHIBITED.

<p>CAGE NO. 19904</p>	<p>TITLE</p> <p style="text-align: center;">RECEPTACLE – TURNLOCK FASTENER, ANGLE MOUNTING STRIP</p>	<p>PART NUMBER S2805A-XXX <small>XXX= Number of receptacle holes</small></p> <p>REV B 04/09/2013</p>
---------------------------	---	--

